



Toggle latches
page 14.1



Toggle latches for padlock
page 14.16



Toggle latches with safety catch
page 14.22



Adjustable toggle latches
page 14.25



Adjustable latches for padlock
page 14.31



Adjustable latches with safety catch
page 14.34



Spring loaded toggle latch
page 14.37



Striker plates
page 14.38



MATERIAL - SURFACE TREATMENT

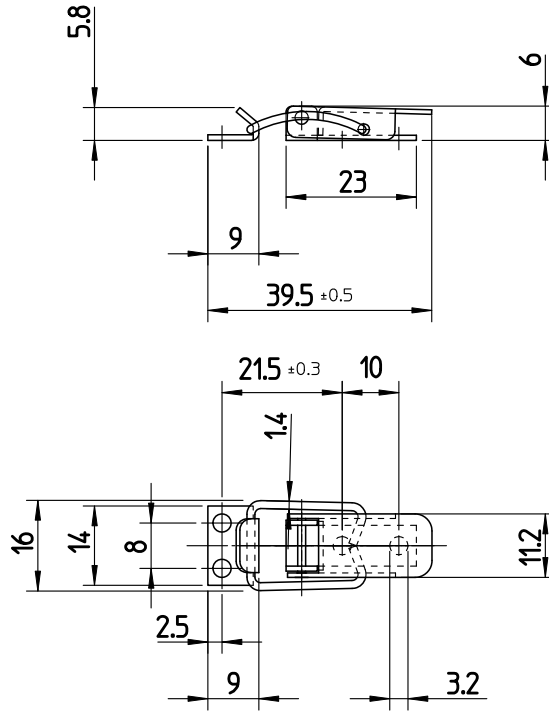
DC01 (Steel) white galvanized

NOTES

* 1 DaN (decanewton) = 1.02 Kgf (kilogram-force).

ACCESSORIES

The recommended standard striker plate is the one in the table below, but other available types are shown on the specific page.



Code	Product	Max working load (DaN) *	Max tension load (DaN) *	Package (pcs)
DC01 white galvanized				
CS395AO501001	Latch + Striker plate	15	30	200
CS3950000001	Latch	15	30	200
CS005AO000001	Striker plate	-	-	200

1
2
3
4
5
6
7
8
9
10
11
12
13
14
15
16
17
18
19
20

MATERIAL - SURFACE TREATMENT

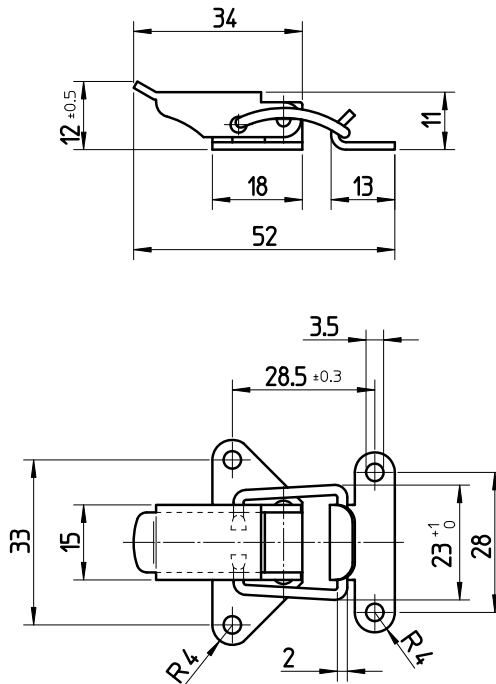
DC01 (Steel)
 DC01 (Steel) white galvanized
 DC01 (Steel) nickel-plated
 AISI304 (Stainless steel)

NOTES

* 1 DaN (decanewton) = 1.02 Kgf (kilogram-force).

ACCESSORIES

The recommended standard striker plate is the one in the table below, but other available types are shown on the specific page.



Code DC01	Code DC01 white galvanized	Code DC01 nickel-plated	Code AISI304	Product	Max working load (DaN) *	Max tension load (DaN) *	Package (pcs)
-	CS125AG501001	CS125AG508008	CS126AG600000	Latch + Striker plate	55	150	200
CS12500000000	CS12500000001	CS12500000008	CS12600000000	Latch	55	150	600
CS005AG000000	CS005AG000001	CS005AG000008	CS006AG000000	Striker plate	-	-	200



MATERIAL - SURFACE TREATMENT

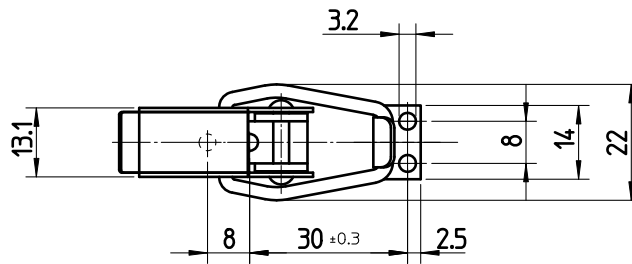
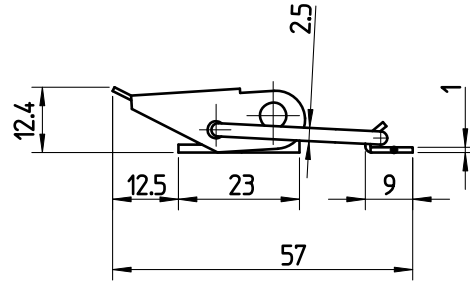
DC01 (Steel) white galvanized

NOTES

* 1 DaN (decanewton) = 1.02 Kgf (kilogram-force).

ACCESSORIES

The recommended standard striker plate is the one in the table below, but other available types are shown on the specific page.



Code	Product	Max working load (DaN) *	Max tension load (DaN) *	Package (pcs)
DC01 white galvanized				
CS265AO501001	Latch + Striker plate	40	100	200
CS26500000001	Latch	40	100	200
CS005AO000001	Striker plate	-	-	200

1
2
3
4
5
6
7
8
9
10
11
12
13
14
15
16
17
18
19
20

MATERIAL - SURFACE TREATMENT

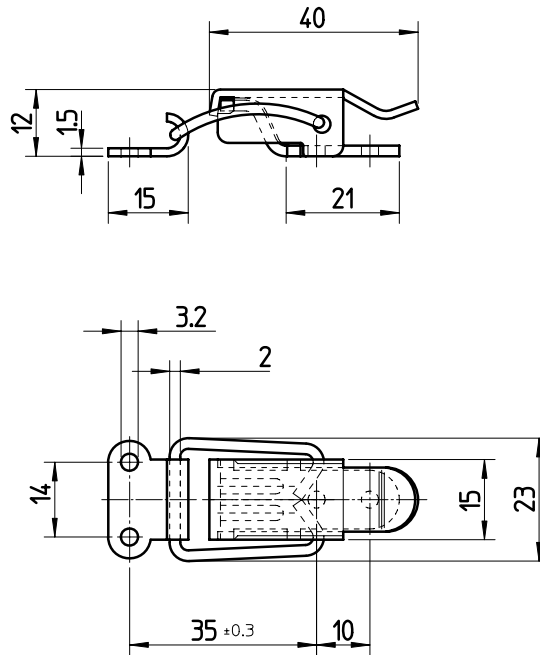
DC01 (Steel) white galvanized
 AISI304 (Stainless steel)

NOTES

* 1 DaN (decanewton) = 1.02 Kgf (kilogram-force).

ACCESSORIES

The recommended standard striker plate is the one in the table below, but other available types are shown on the specific page.



Code DC01 white galvanized	Code AISI304	Product	Max working load (DaN) *	Max tension load (DaN) *	Package (pcs)
CS385AN501001	CS386AN600000	Latch + Striker plate	55	100	100
CS38500000001	CS38600000000	Latch	55	100	500
CS005AN000001	CS006AN000000	Striker plate	-	-	100



MATERIAL - SURFACE TREATMENT

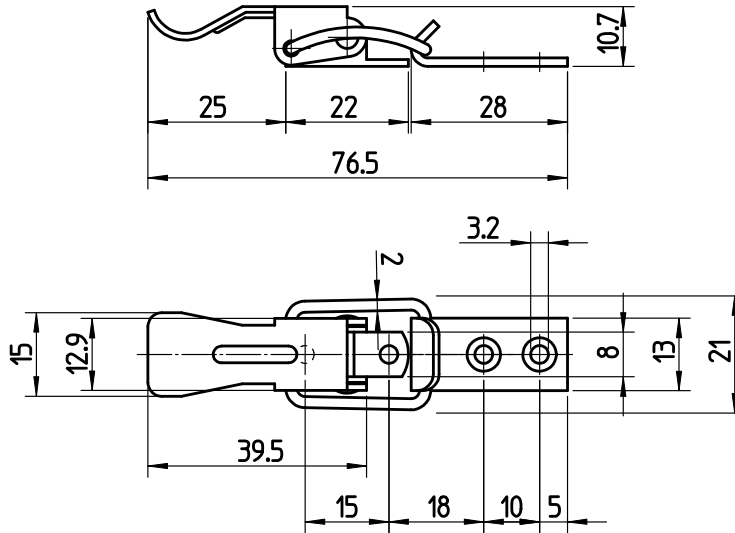
DC01 (Steel)
 DC01 (Steel) white galvanized
 DC01 (Steel) nickel-plated
 AISI304 (Stainless steel)

NOTES

* 1 DaN (decanewton) = 1.02 Kgf (kilogram-force).

ACCESSORIES

The recommended standard striker plate is the one in the table below, but other available types are shown on the specific page.



Code DC01	Code DC01 white galvanized	Code DC01 nickel-plated	Code AISI304	Product	Max working load (DaN) *	Max tension load (DaN) *	Package (pcs)
-	CS075AD501001	CS075AD508008	CS076AD600000	Latch + Striker plate	40	100	200
CS07500000000	CS07500000001	CS07500000008	CS07600000000	Latch	40	100	600
CS005AD000000	CS005AD000001	CS005AD000008	CS006AD000000	Striker plate	-	-	200

MATERIAL - SURFACE TREATMENT

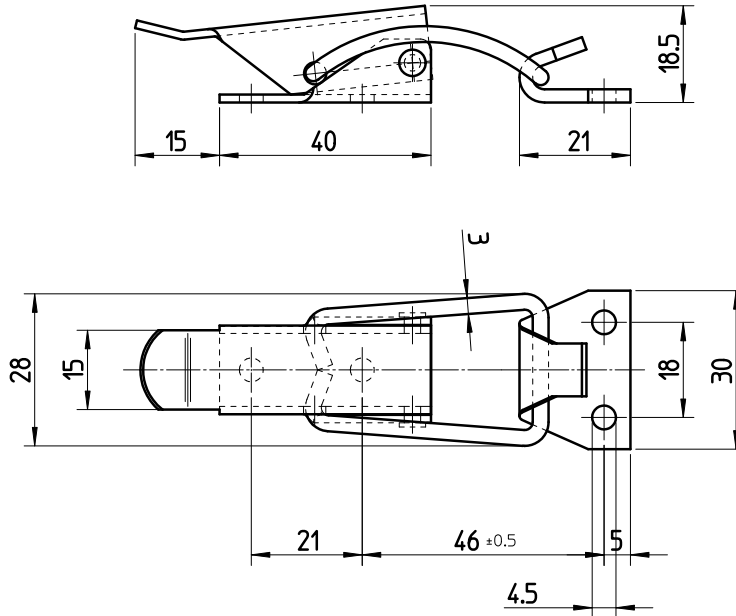
DC01 (Steel) white galvanized

NOTES

* 1 DaN (decanewton) = 1.02 Kg (kilogram-force).

ACCESSORIES

The recommended standard striker plate is the one in the table below, but other available types are shown on the specific page.



Code	Product	Max working load (DaN) *	Max tension load (DaN) *	Package (pcs)
DC01 white galvanized				
CS415AQ501001	Latch + Striker plate	100	250	50
CS41500000001	Latch	100	250	250
CS005AQ000001	Striker plate	-	-	50



MATERIAL - SURFACE TREATMENT

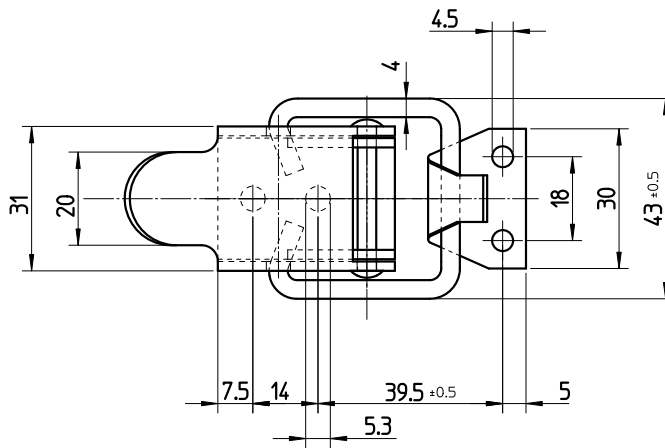
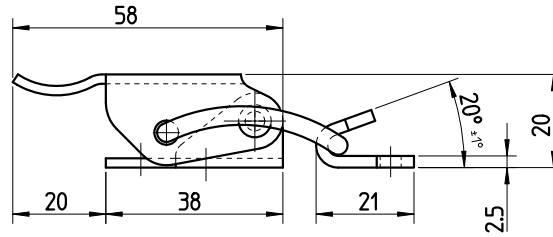
DC01 (Steel) white galvanized

NOTES

* 1 DaN (decanewton) = 1.02 Kgf (kilogram-force).

ACCESSORIES

The recommended standard striker plate is the one in the table below, but other available types are shown on the specific page.



Code	Product	Max working load (DaN) *	Max tension load (DaN) *	Package (pcs)
DC01 white galvanized				
CS255AQ501001	Latch + Striker plate	150	300	50
CS25500000001	Latch	150	300	200
CS005AQ000001	Striker plate	-	-	50

MATERIAL - SURFACE TREATMENT

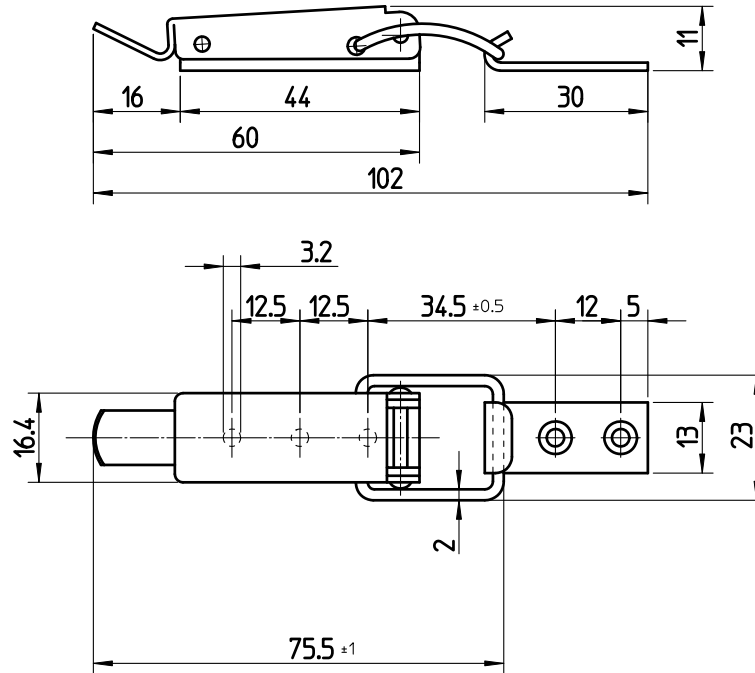
DC01 (Steel)
 DC01 (Steel) white galvanized
 DC01 (Steel) nickel-plated
 AISI304 (Stainless steel)

NOTES

* 1 DaN (decanewton) = 1.02 Kg (kilogram-force).

ACCESSORIES

The recommended standard striker plate is the one in the table below, but other available types are shown on the specific page.



Code DC01	Code DC01 white galvanized	Code DC01 nickel-plated	Code AISI304	Product	Max working load (DaN) *	Max tension load (DaN) *	Package (pcs)
-	CS095AF501001	CS095AF508008	CS096AF600000	Latch + Striker plate	55	130	150
CS09500000000	CS09500000001	CS09500000008	CS09600000000	Latch	55	130	500
CS005AF000000	CS005AF000001	CS005AF000008	CS006AF000000	Striker plate	-	-	500



MATERIAL - SURFACE TREATMENT

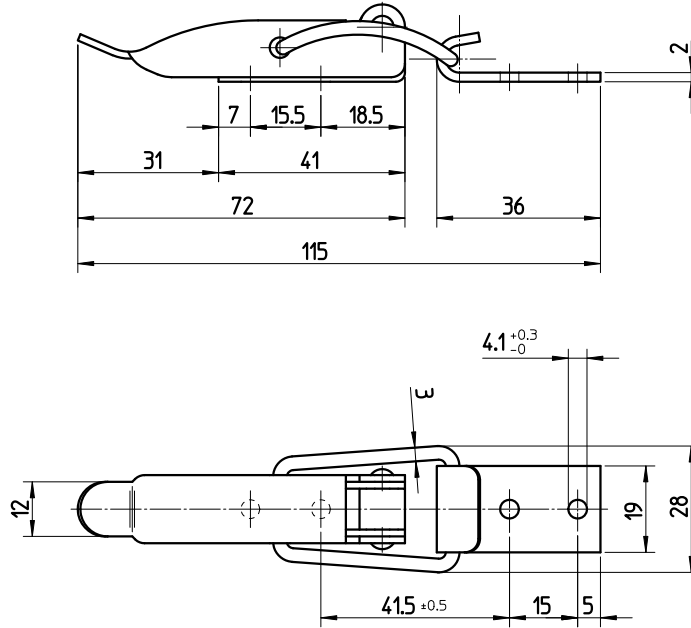
- DC01 (Steel)
- DC01 (Steel) white galvanized
- DC01 (Steel) nickel-plated
- AISI304 (Stainless steel)

NOTES

* 1 DaN (decanewton) = 1.02 Kgf (kilogram-force).

ACCESSORIES

The recommended standard striker plate is the one in the table below, but other available types are shown on the specific page.



Code DC01	Code DC01 white galvanized	Code DC01 nickel-plated	Code AISI304	Product	Max working load (DaN) *	Max tension load (DaN) *	Package (pcs)
-	CS195AI501001	CS195AI508008	CS196AI600100	Latch + Striker plate	100	250	50
CS19500000000	CS19500000001	CS19500000008	CS19600000100	Latch	100	250	250
CS005AI000000	-	-	-	Striker plate	-	-	200
-	CS005AI000001	CS005AI000008	CS006AI000000	Striker plate	-	-	25

MATERIAL - SURFACE TREATMENT

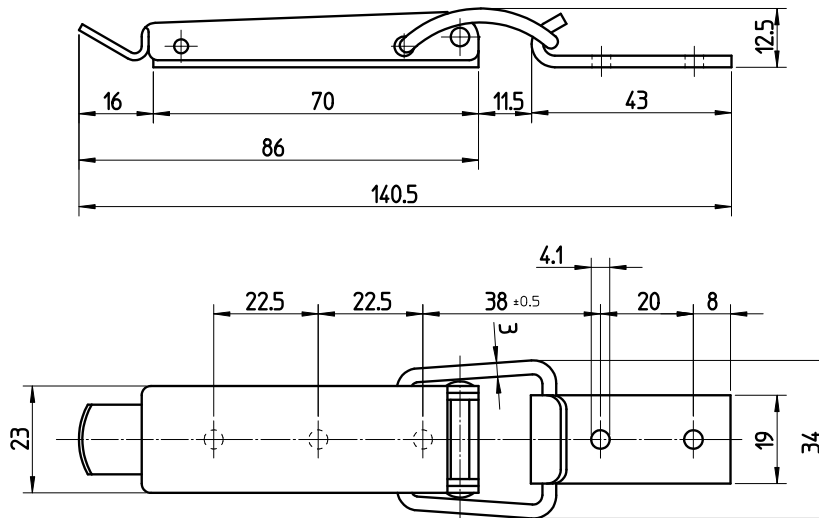
DC01 (Steel)
 DC01 (Steel) white galvanized
 DC01 (Steel) nickel-plated
 AISI304 (Stainless steel)

NOTES

* 1 DaN (decanewton) = 1.02 Kg (kilogram-force).

ACCESSORIES

The recommended standard striker plate is the one in the table below, but other available types are shown on the specific page.



Code DC01	Code DC01 white galvanized	Code DC01 nickel-plated	Code AISI304	Product	Max working load (DaN) *	Max tension load (DaN) *	Package (pcs)
-	CS055AC501001	CS055AC508008	CS056AC600000	Latch + Striker plate	150	300	50
CS05500000000	CS05500000001	CS05500000008	CS05600000000	Latch	150	300	250
CS005AC000000	-	-	-	Striker plate	-	-	250
-	CS005AC000001	CS005AC000008	CS006AC000000	Striker plate	-	-	50



MATERIAL - SURFACE TREATMENT

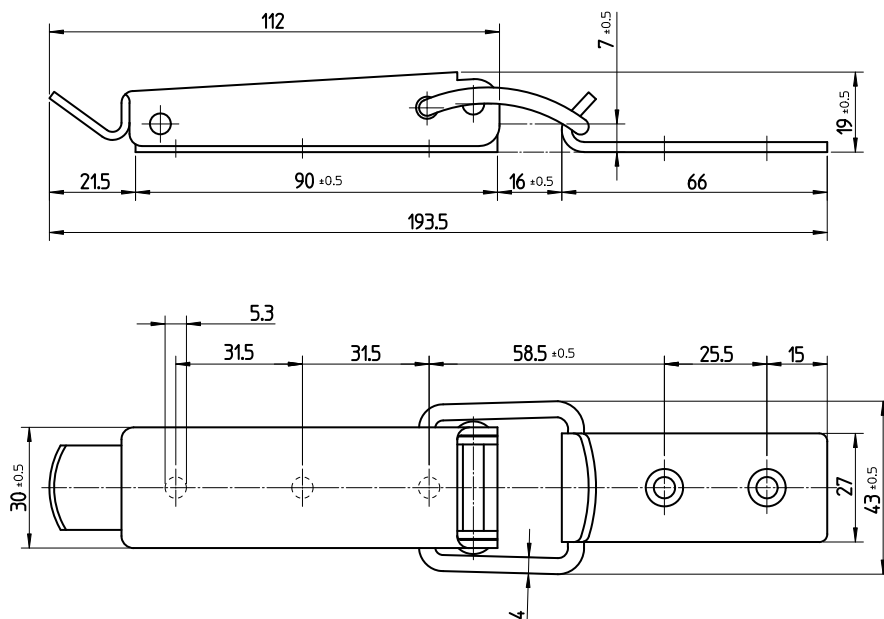
- DC01 (Steel)
- DC01 (Steel) white galvanized
- DC01 (Steel) nickel-plated
- AISI304 (Stainless steel)

NOTES

In the steel version, the holes on the recommended striker plate are countersunk.
 * 1 DaN (decanewton) = 1.02 Kgf (kilogram-force).

ACCESSORIES

The recommended standard striker plate is the one in the table below, but other available types are shown on the specific page.



Code DC01	Code DC01 white galvanized	Code DC01 nickel-plated	Code AISI304	Product	Max working load (DaN) *	Max tension load (DaN) *	Package (pcs)
-	CS015AB501001	CS015AB508008	CS016AA600000	Latch + Striker plate	200	400	25
CS01500000000	CS01500000001	CS01500000008	CS01600000000	Latch	200	400	100
CS005AB000000	-	-	-	Striker plate	-	-	100
-	CS005AB000001	CS005AB000008	CS006AA000000	Striker plate	-	-	25

1
2
3
4
5
6
7
8
9
10
11
12
13
14
15
16
17
18
19
20

MATERIAL - SURFACE TREATMENT

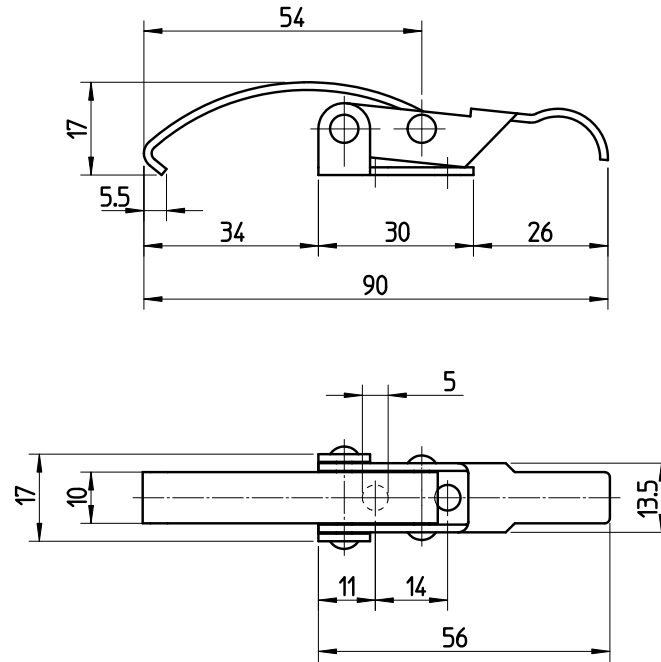
- DC01 (Steel)
- DC01 (Steel) white galvanized
- DC01 (Steel) nickel-plated
- AISI304 (Stainless steel)

NOTES

* 1 DaN (decanewton) = 1.02 Kg (kilogram-force).

ACCESSORIES

There is no recommended standard striker plate, but there are various types available shown on the specific page.



Code DC01	Code DC01 white galvanized	Code DC01 nickel-plated	Code AISI304	Product	Max working load (DaN) *	Max tension load (DaN) *	Package (pcs)
CS22500000000	-	-	-	Latch	50	90	500
-	CS22500000001	CS22500000008	CS22600000000	Latch	50	90	100

- 1
- 2
- 3
- 4
- 5
- 6
- 7
- 8
- 9
- 10
- 11
- 12
- 13
- 14
- 15
- 16
- 17
- 18
- 19
- 20



MATERIAL - SURFACE TREATMENT

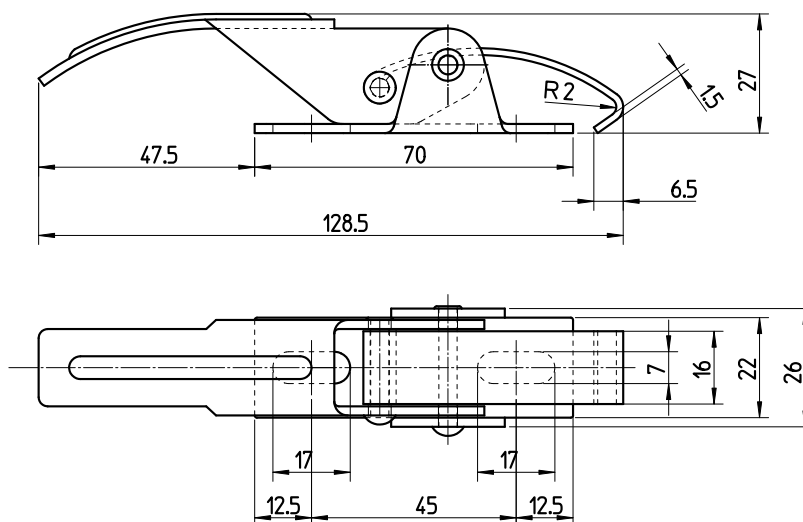
DC01 (Steel) white galvanized

NOTES

* 1 DaN (decanewton) = 1.02 Kgf (kilogram-force).

ACCESSORIES

There is no recommended standard striker plate, but there are various types available shown on the specific page.



Code	Product	Max working load (DaN) *	Max tension load (DaN) *	Package (pcs)
DC01 white galvanized	Latch	75	150	100

MATERIAL - SURFACE TREATMENT

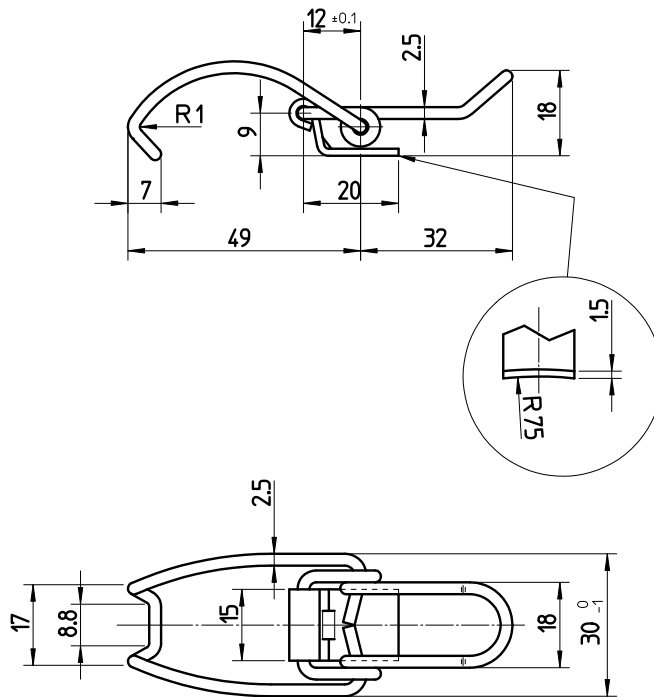
DC01 (Steel) white galvanized

NOTES

* 1 DaN (decanewton) = 1.02 Kg (kilogram-force).

ACCESSORIES

There is no recommended standard striker plate, but there are various types available shown on the specific page.



Code	Product	Max working load (DaN) *	Max tension load (DaN) *	Package (pcs)
DC01 white galvanized	Lattch	30	60	500



MATERIAL - SURFACE TREATMENT

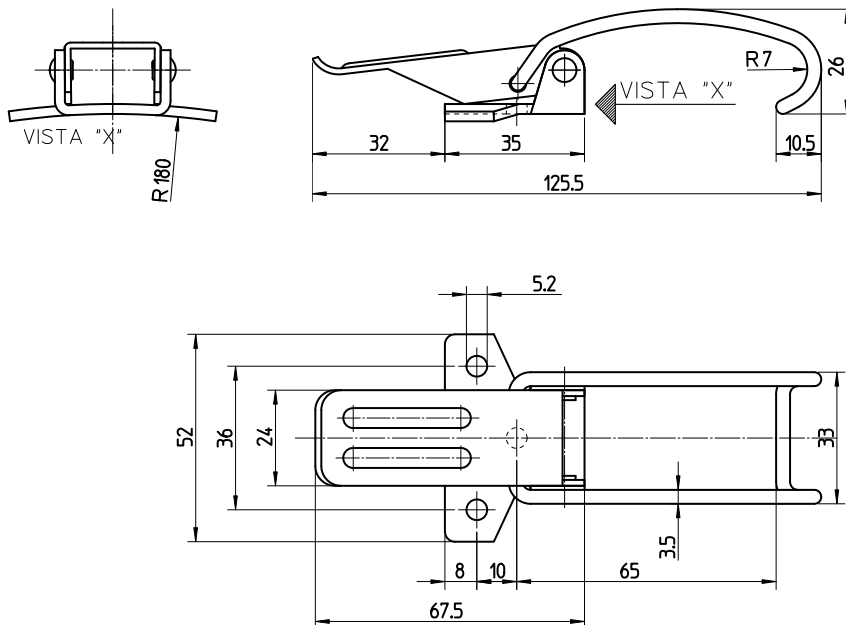
DC01 (Steel) white galvanized

NOTES

* 1 DaN (decanewton) = 1.02 Kgf (kilogram-force).

ACCESSORIES

There is no recommended standard striker plate, but there are various types available shown on the specific page.



Code	Product	Max working load (DaN) *	Max tension load (DaN) *	Package (pcs)
DC01 white galvanized	Latch	20	100	200

CS1650000001

Latch

20

100

200

MATERIAL - SURFACE TREATMENT

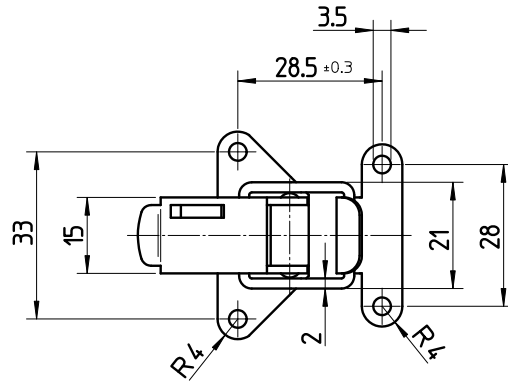
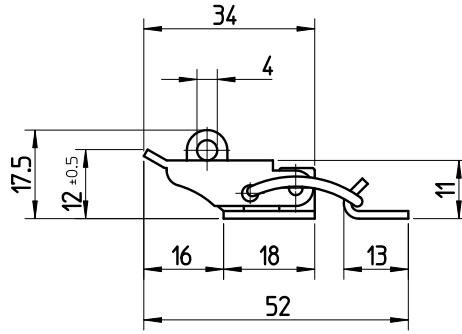
- DC01 (Steel)
- DC01 (Steel) white galvanized
- DC01 (Steel) nickel-plated
- AISI304 (Stainless steel)

NOTES

* 1 DaN (decanewton) = 1.02 Kg (kilogram-force).

ACCESSORIES

The recommended standard striker plate is the one in the table below, but other available types are shown on the specific page.



Code DC01	Code DC01 white galvanized	Code DC01 nickel-plated	Code AISI304	Product	Max working load (DaN) *	Max tension load (DaN) *	Package (pcs)
-	CS145AG501001	CS145AG508008	-	Latch + Striker plate	55	150	200
CS1450000000	CS1450000001	CS1450000008	-	Latch	55	150	600
CS005AG000000	CS005AG000001	CS005AG000008	CS006AG000000	Striker plate	-	-	200



MATERIAL - SURFACE TREATMENT

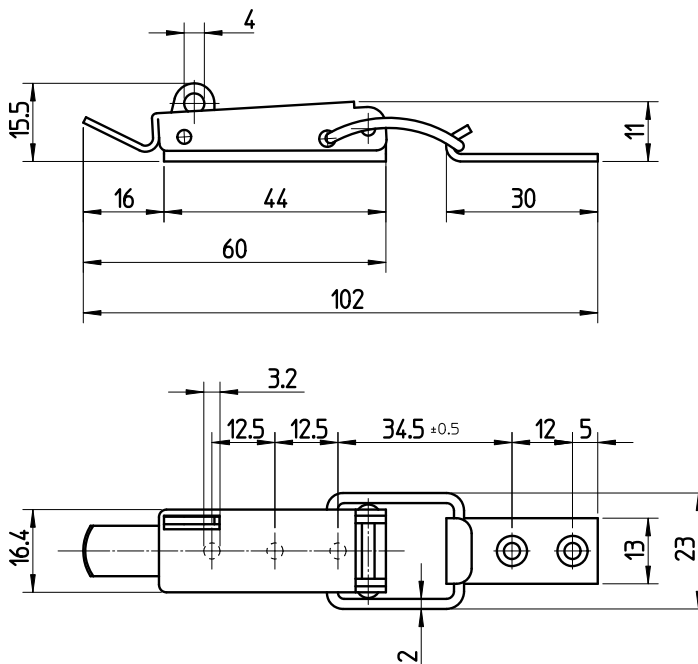
DC01 (Steel)
 DC01 (Steel) white galvanized
 DC01 (Steel) nickel-plated
 AISI304 (Stainless steel)

NOTES

* 1 DaN (decanewton) = 1.02 Kgf (kilogram-force).

ACCESSORIES

The recommended standard striker plate is the one in the table below, but other available types are shown on the specific page.



Code DC01	Code DC01 white galvanized	Code DC01 nickel-plated	Code AISI304	Product	Max working load (DaN)*	Max tension load (DaN)*	Package (pcs)
-	CS105AF501001	CS105AF508008	CS106AF600000	Latch + Striker plate	55	130	150
CS10500000000	CS10500000001	CS10500000008	CS10600000000	Latch	55	130	500
CS005AF000000	-	-	-	Striker plate	-	-	500
-	CS005AF000001	CS005AF000008	CS006AF000000	Striker plate	-	-	150

MATERIAL - SURFACE TREATMENT

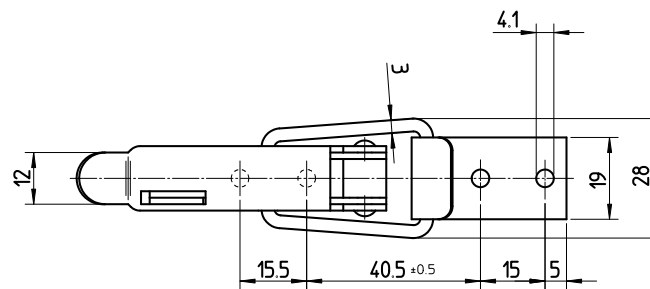
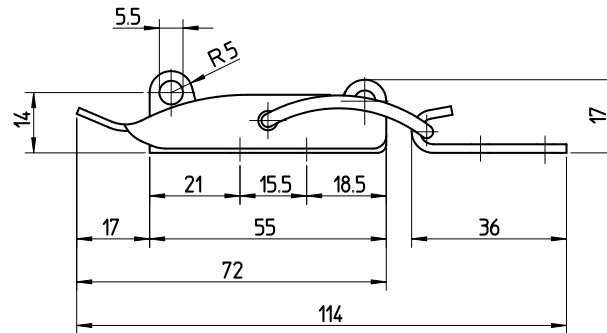
DC01 (Steel)
 DC01 (Steel) white galvanized
 DC01 (Steel) nickel-plated
 AISI304 (Stainless steel)

NOTES

* 1 DaN (decanewton) = 1.02 Kg (kilogram-force).

ACCESSORIES

The recommended standard striker plate is the one in the table below, but other available types are shown on the specific page.



Code DC01	Code DC01 white galvanized	Code DC01 nickel-plated	Code AISI304	Product	Max working load (DaN) *	Max tension load (DaN) *	Package (pcs)
-	CS205AI501001	CS205AI508008	CS206AI600100	Latch + Striker plate	100	250	50
CS20500000000	CS20500000001	CS20500000008	CS20600000100	Latch	100	250	250
CS005AI000000	-	-	-	Striker plate	-	-	200
-	CS005AI000001	CS005AI000008	CS006AI000000	Striker plate	-	-	25



MATERIAL - SURFACE TREATMENT

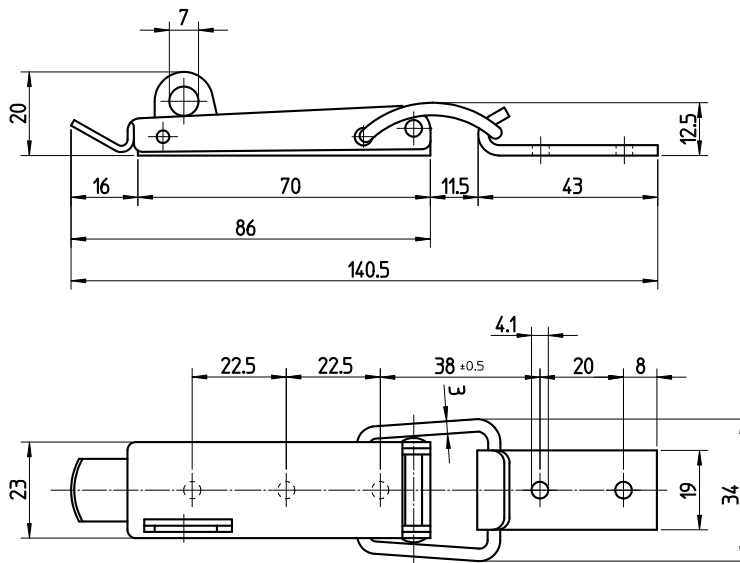
- DC01 (Steel)
- DC01 (Steel) white galvanized
- DC01 (Steel) nickel-plated
- AISI304 (Stainless steel)

NOTES

* 1 DaN (decanewton) = 1.02 Kgf (kilogram-force).

ACCESSORIES

The recommended standard striker plate is the one in the table below, but other available types are shown on the specific page.



Code DC01	Code DC01 white galvanized	Code DC01 nickel-plated	Code AISI304	Product	Max working load (DaN) *	Max tension load (DaN) *	Package (pcs)
-	CS065AC501001	CS065AC508008	CS066AC600000	Latch + Striker plate	150	300	50
CS06500000000	CS06500000001	CS06500000008	CS06600000000	Latch	150	300	250
CS005AC000000	-	-	-	Striker plate	-	-	250
-	CS005AC000001	CS005AC000008	CS006AC000000	Striker plate	-	-	50

1
2
3
4
5
6
7
8
9
10
11
12
13
14
15
16
17
18
19
20



MATERIAL - SURFACE TREATMENT

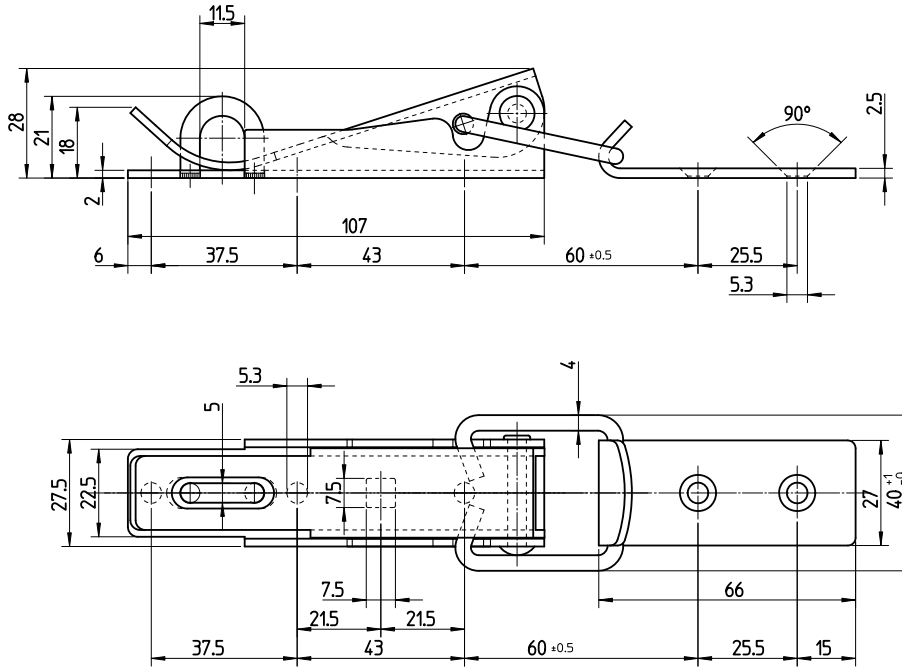
DC01 (Steel) white galvanized

NOTES

* 1 DaN (decanewton) = 1.02 Kgf (kilogram-force).

ACCESSORIES

The recommended standard striker plate is the one in the table below, but other available types are shown on the specific page.



Code	Product	Max working load (DaN) *	Max tension load (DaN) *	Package (pcs)
DC01 white galvanized				
CS245AB501001	Latch + Striker plate	200	350	25
CS24500000001	Latch	200	350	100
CS005AB000001	Striker plate	-	-	25

- 1
- 2
- 3
- 4
- 5
- 6
- 7
- 8
- 9
- 10
- 11
- 12
- 13
- 14**
- 15
- 16
- 17
- 18
- 19
- 20



MATERIAL - SURFACE TREATMENT

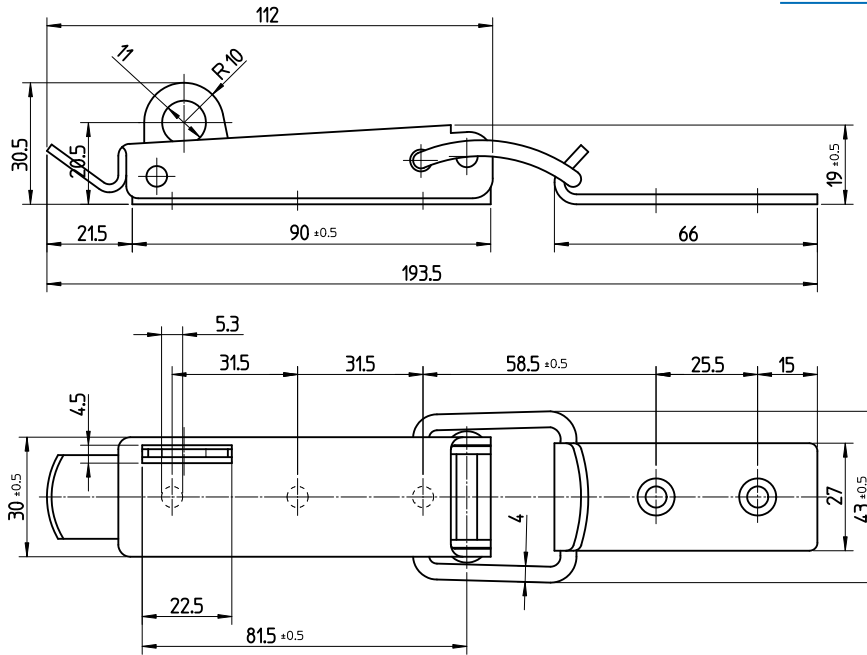
- DC01 (Steel)
- DC01 (Steel) white galvanized
- DC01 (Steel) nickel-plated
- AISI304 (Stainless steel)

NOTES

In the steel version, the holes on the recommended striker plate are countersunk.
 In the untreated steel version, the ring for the lock is on the opposite side.
 * 1 DaN (decanewton) = 1.02 Kgf (kilogram-force).

ACCESSORIES

The recommended standard striker plate is the one in the table below, but other available types are shown on the specific page.



Code DC01	Code DC01 white galvanized	Code DC01 nickel-plated	Code AISI304	Product	Max working load (DaN) *	Max tension load (DaN) *	Package (pcs)
-	CS025AB501001	CS025AB508008	CS026AA600000	Latch + Striker plate	200	400	25
CS02500000100	CS02500000001	CS02500000008	CS02600000000	Latch	200	400	100
CS005AB000000	-	-	-	Striker plate	-	-	100
-	CS005AB000001	CS005AB000008	CS006AA000000	Striker plate	-	-	25

1
2
3
4
5
6
7
8
9
10
11
12
13
14
15
16
17
18
19
20

MATERIAL - SURFACE TREATMENT

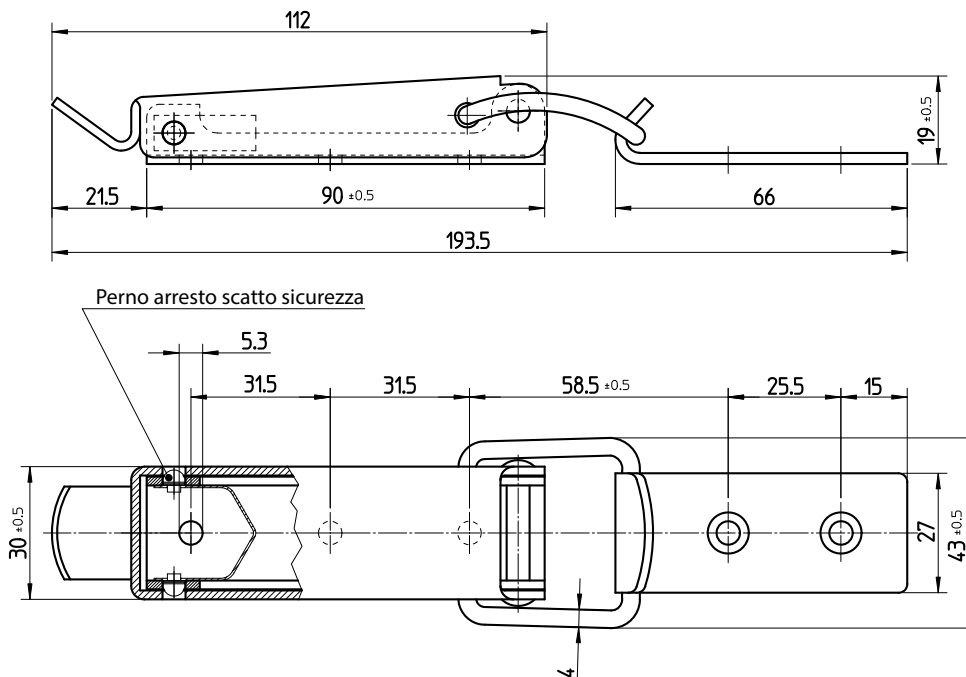
DC01 (Steel)
 DC01 (Steel) white galvanized
 DC01 (Steel) nickel-plated
 AISI304 (Stainless steel)

NOTES

* 1 DaN (decanewton) = 1.02 Kgf (kilogram-force).

ACCESSORIES

The recommended standard striker plate is the one in the table below, but other available types are shown on the specific page.



Code DC01	Code DC01 white galvanized	Code DC01 nickel-plated	Code AISI304	Product	Max working load (DaN) *	Max tension load (DaN) *	Package (pcs)
-	CS045AB501001	-	CS046AA600000	Latch + Striker plate	200	400	25
-	CS04500000001	-	CS04600000000	Latch	200	400	100
CS005AB000000	-	-	-	Striker plate	-	-	100
-	CS005AB000001	CS005AB000008	CS006AA000000	Striker plate	-	-	25



MATERIAL - SURFACE TREATMENT

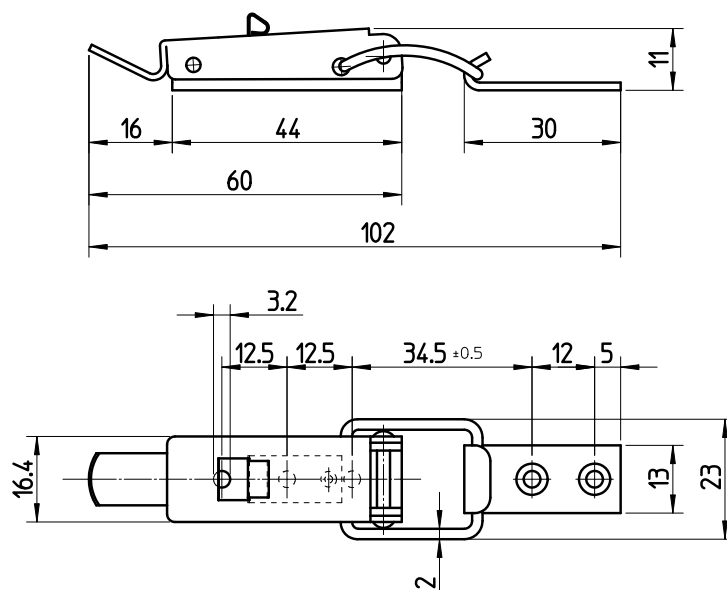
DC01 (Steel)
 DC01 (Steel) white galvanized
 DC01 (Steel) nickel-plated
 AISI304 (Stainless steel)

NOTES

* 1 DaN (decanewton) = 1.02 Kgf (kilogram-force).

ACCESSORIES

The recommended standard striker plate is the one in the table below, but other available types are shown on the specific page.



Code DC01	Code DC01 white galvanized	Code DC01 nickel-plated	Code AISI304	Product	Max working load (DaN) *	Max tension load (DaN) *	Package (pcs)
-	CS115AF501001		CS116AF600000	Latch + Striker plate	55	130	150
-	CS11500000001	-	CS11600000000	Latch	55	130	500
CS005AF000000	-	-	-	Striker plate	-	-	500
-	CS005AF000001	CS005AF000008	CS006AF000000	Striker plate	-	-	150

MATERIAL - SURFACE TREATMENT

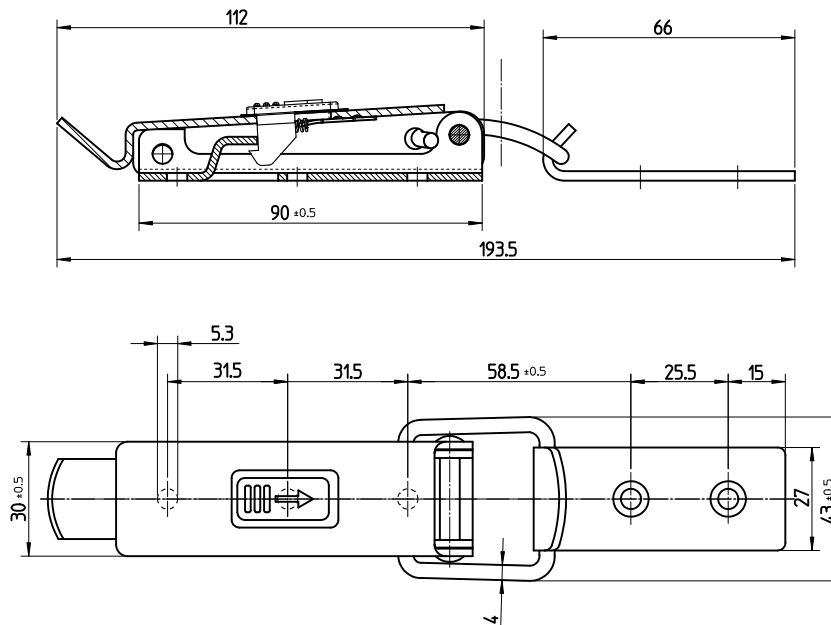
DC01 (Steel) white galvanized
 DC01 (Steel) nickel-plated
 AISI304 (Stainless steel)

NOTES

In the steel version, the holes on the recommended striker plate are countersunk.
 * 1 DaN (decanewton) = 1.02 Kg (kilogram-force).

ACCESSORIES

The recommended standard striker plate is the one in the table below, but other available types are shown on the specific page.



Code DC01 white galvanized	Code DC01 nickel-plated	Code AISI304	Product	Max working load (DaN) *	Max tension load (DaN) *	Package (pcs)
-	CS035AB508008	CS036AA600000	Latch + Striker plate	200	400	25
-	CS03500000008	CS03600000000	Latch	200	400	100
CS005AB000001	CS005AB000008	CS006AA000000	Striker plate	-	-	25



MATERIAL - SURFACE TREATMENT

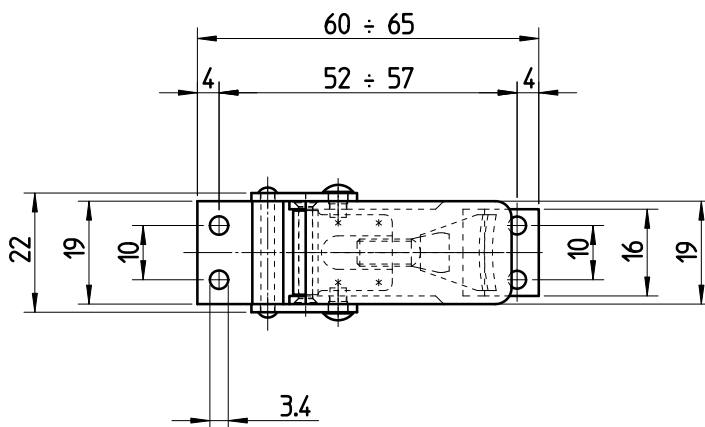
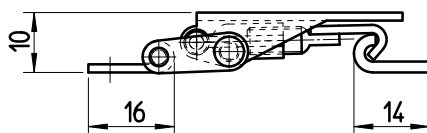
DC01 (Steel) white galvanized

NOTES

* 1 DaN (decanewton) = 1.02 Kgf (kilogram-force).

ACCESSORIES

The recommended standard striker plate is the one in the table below, but other available types are shown on the specific page.



Code	Product	Max working load (DaN) *	Max tension load (DaN) *	Package (pcs)
DC01 white galvanized				
CS405AP501001	Latch + Striker plate	75	150	100
CS40500000001	Latch	75	150	500
CS005AP000001	Striker plate	-	-	100

1
2
3
4
5
6
7
8
9
10
11
12
13
14
15
16
17
18
19
20

MATERIAL - SURFACE TREATMENT

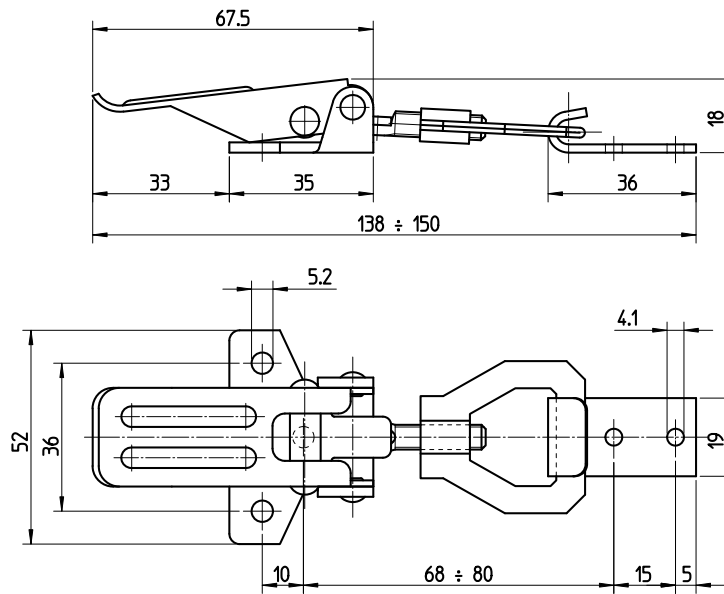
- DC01 (Steel)
- DC01 (Steel) white galvanized
- DC01 (Steel) nickel-plated
- AISI304 (Stainless steel)

NOTES

* 1 DaN (decanewton) = 1.02 Kg (kilogram-force).

ACCESSORIES

The recommended standard striker plate is the one in the table below, but other available types are shown on the specific page.



Code DC01	Code DC01 white galvanized	Code DC01 nickel-plated	Code AISI304	Product	Max working load (DaN) *	Max tension load (DaN) *	Package (pcs)
-	CS175AI501001	CS175AI508008	CS176AI600000	Latch + Striker plate	110	250	25
CS17500000000	CS17500000001	CS17500000008	CS17600000000	Latch	110	250	200
CS005AI0000000	-	-	-	Striker plate	-	-	200
-	CS005AI000001	CS005AI000008	CS006AI000000	Striker plate	-	-	25



MATERIAL - SURFACE TREATMENT

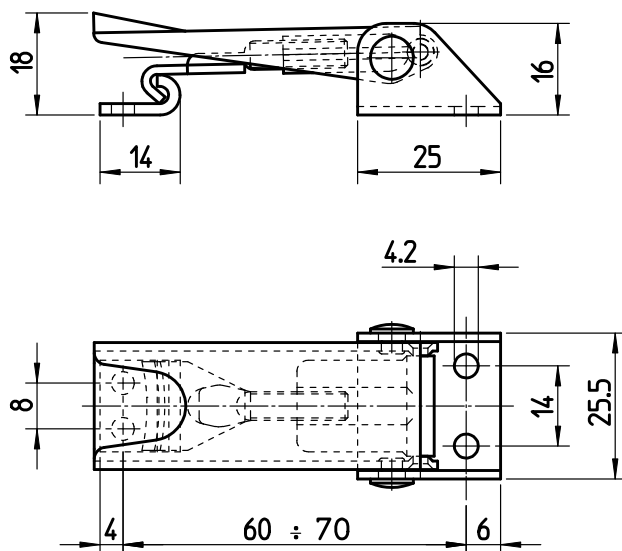
DC01 (Steel) white galvanized
AISI304 (Stainless steel)

NOTES

* 1 DaN (decanewton) = 1.02 Kgf (kilogram-force).

ACCESSORIES

The recommended standard striker plate is the one in the table below, but other available types are shown on the specific page.



Code DC01 white galvanized	Code AISI304	Product	Max working load (DaN) *	Max tension load (DaN) *	Package (pcs)
CS345AM501001	CS346AM600000	Latch + Striker plate	100	140	100
CS34500000001	CS34600000000	Latch	100	140	200
CS005AM000001	CS006AM000000	Striker plate	-	-	100

MATERIAL - SURFACE TREATMENT

DC01 (Steel) white galvanized
 DC01 (Steel) nickel-plated

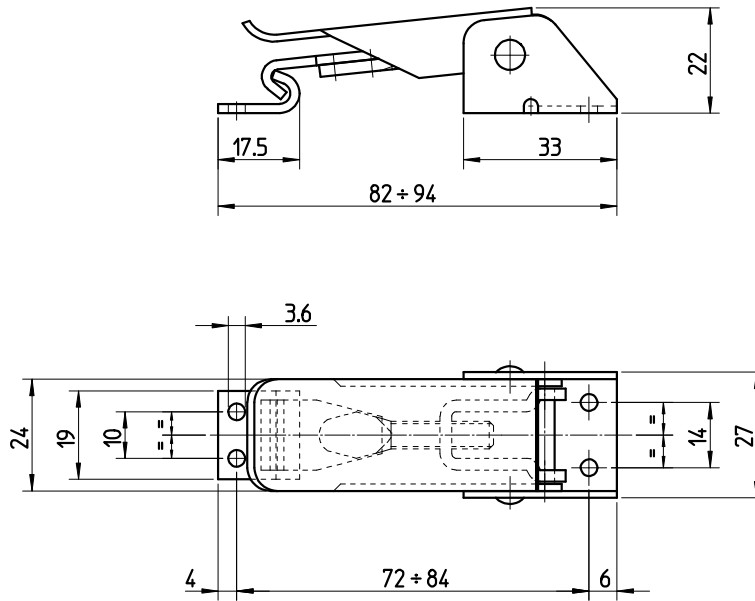
NOTES

In the steel version, the holes on the recommended striker plate are countersunk.

* 1 DaN (decanewton) = 1.02 Kgf (kilogram-force).

ACCESSORIES

The recommended standard striker plate is the one in the table below, but other available types are shown on the specific page.



Code DC01 white galvanized	Code DC01 nickel-plated	Product	Max working load (DaN) *	Max tension load (DaN) *	Package (pcs)
CS305AK501001	CS305AK508008	Latch + Striker plate	100	200	50
CS30500000001	CS30500000008	Latch	100	200	200
CS005AK000001	CS005AK000008	Striker plate	-	-	50



MATERIAL - SURFACE TREATMENT

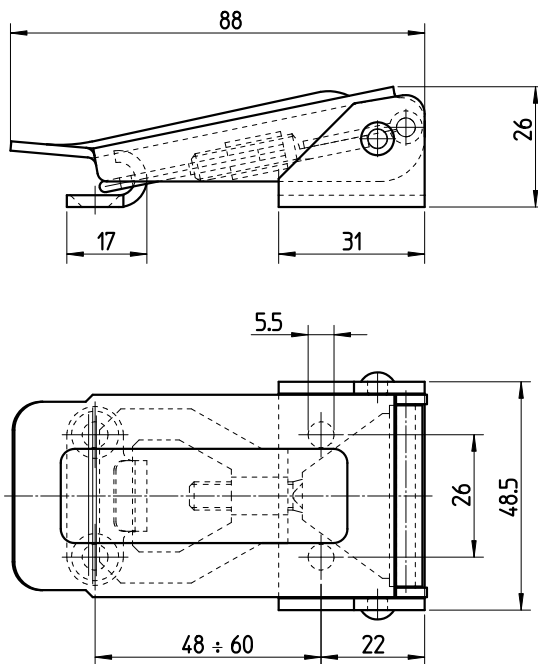
DC01 (Steel) white galvanized
 AISI304 (Stainless steel)

NOTES

* 1 DaN (decanewton) = 1.02 Kgf (kilogram-force).

ACCESSORIES

The recommended standard striker plate is the one in the table below, but other available types are shown on the specific page.



Code DC01 white galvanized	Code AISI304	Product	Max working load (DaN) *	Max tension load (DaN) *	Package (pcs)
CS275AJ501001	CS276AJ600000	Latch + Striker plate	150	300	25
CS27500000001	CS27600000000	Latch	150	300	100
CS005AJ000001	CS006AJ000000	Striker plate	-	-	25

1
2
3
4
5
6
7
8
9
10
11
12
13
14
15
16
17
18
19
20

MATERIAL - SURFACE TREATMENT

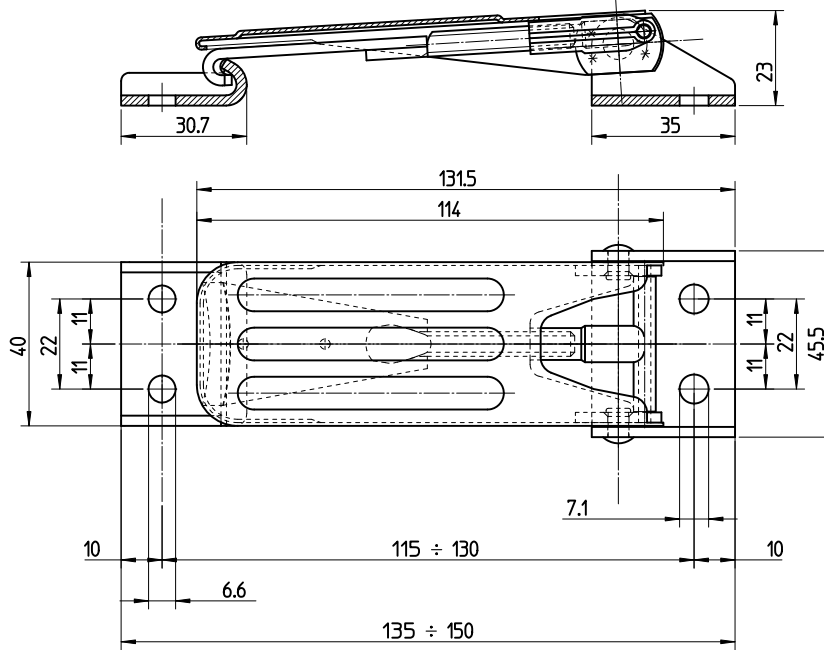
DC01 (Steel) white galvanized

NOTES

* 1 DaN (decanewton) = 1.02 Kg (kilogram-force).

ACCESSORIES

The recommended standard striker plate is the one in the table below, but other available types are shown on the specific page.



Code	Product	Max working load (DaN) *	Max tension load (DaN) *	Package (pcs)
DC01 white galvanized				
CS325AL501001	Latch + Striker plate	200	400	25
CS32500000001	Latch	200	400	100
CS005AL000001	Striker plate	-	-	25



MATERIAL - SURFACE TREATMENT

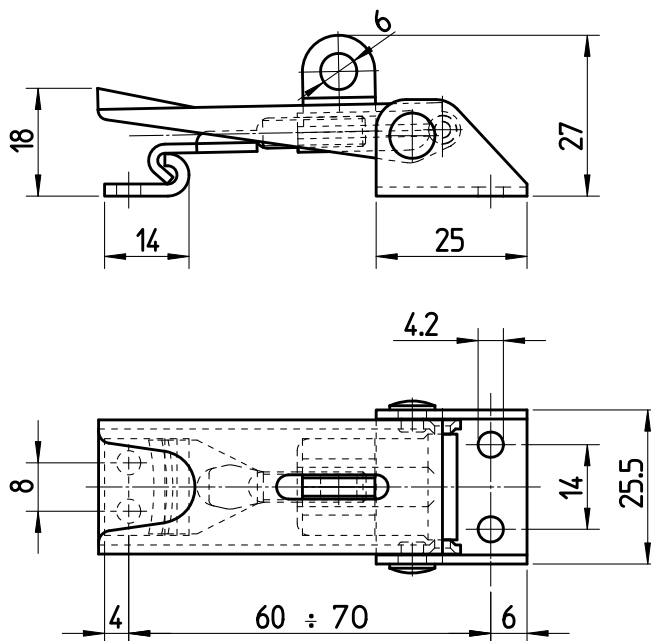
DC01 (Steel) white galvanized
AISI304 (Stainless steel)

NOTES

* 1 DaN (decanewton) = 1.02 Kgf (kilogram-force).

ACCESSORIES

The recommended standard striker plate is the one in the table below, but other available types are shown on the specific page.



Code DC01 white galvanized	Code AISI304	Product	Max working load (DaN) *	Max tension load (DaN) *	Package (pcs)
CS355AM501001	CS356AM600000	Latch + Striker plate	100	140	100
CS35500000001	CS356000000000	Latch	100	140	200
CS005AM000001	CS006AM000000	Striker plate	-	-	100

1
2
3
4
5
6
7
8
9
10
11
12
13
14
15
16
17
18
19
20

MATERIAL - SURFACE TREATMENT

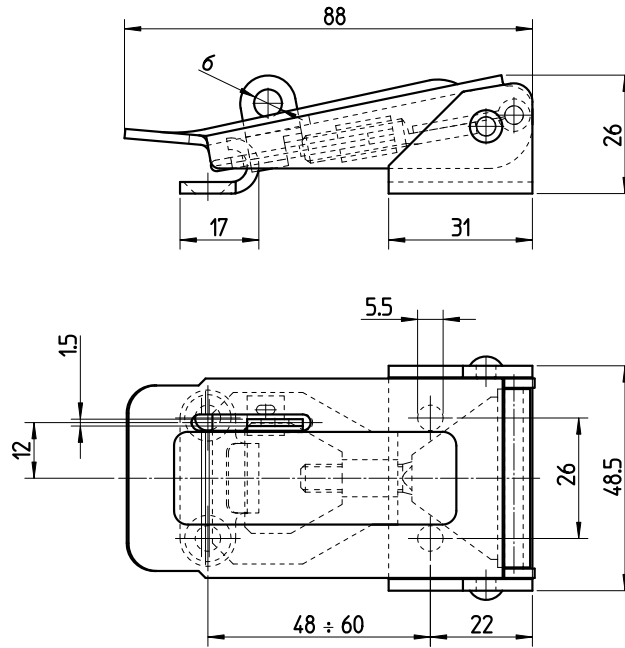
DC01 (Steel) white galvanized

NOTES

* 1 DaN (decanewton) = 1.02 Kg (kilogram-force).

ACCESSORIES

The recommended standard striker plate is the one in the table below, but other available types are shown on the specific page.



Code	Product	Max working load (DaN) *	Max tension load (DaN) *	Package (pcs)
DC01 white galvanized				
CS285AJ501001	Latch + Striker plate	150	300	25
CS28500000001	Latch	150	300	100
CS005AJ000001	Striker plate	-	-	25



MATERIAL - SURFACE TREATMENT

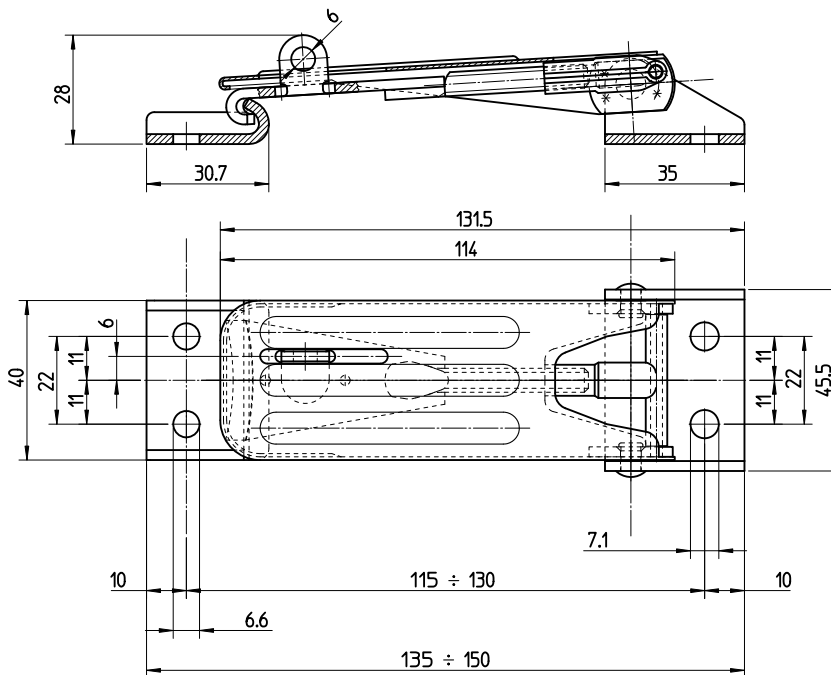
DC01 (Steel) white galvanized

NOTES

* 1 DaN (decanewton) = 1.02 Kgf (kilogram-force).

ACCESSORIES

The recommended standard striker plate is the one in the table below, but other available types are shown on the specific page.



Code	Product	Max working load (DaN) *	Max tension load (DaN) *	Package (pcs)
DC01 white galvanized				
CS335AL501001	Latch + Striker plate	200	400	25
CS33500000001	Latch	200	400	100
CS005AL000001	Striker plate	-	-	25

1
2
3
4
5
6
7
8
9
10
11
12
13
14
15
16
17
18
19
20

MATERIAL - SURFACE TREATMENT

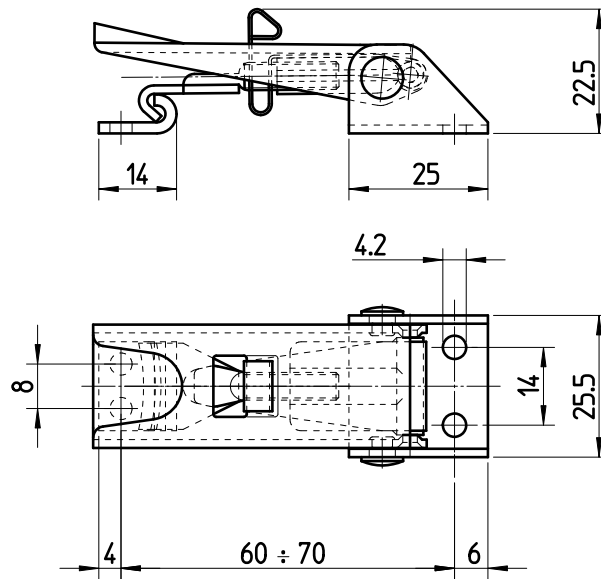
DC01 (Steel) white galvanized
 AISI304 (Stainless steel)

NOTES

* 1 DaN (decanewton) = 1.02 Kg (kilogram-force).

ACCESSORIES

The recommended standard striker plate is the one in the table below, but other available types are shown on the specific page.



Code DC01 white galvanized	Code AISI304	Product	Max working load (DaN) *	Max tension load (DaN) *	Package (pcs)
CS365AM501001	CS366AM600000	Latch + Striker plate	100	140	100
CS36500000001	CS366000000000	Latch	100	140	200
CS005AM000001	CS006AM000000	Striker plate	-	-	100



MATERIAL - SURFACE TREATMENT

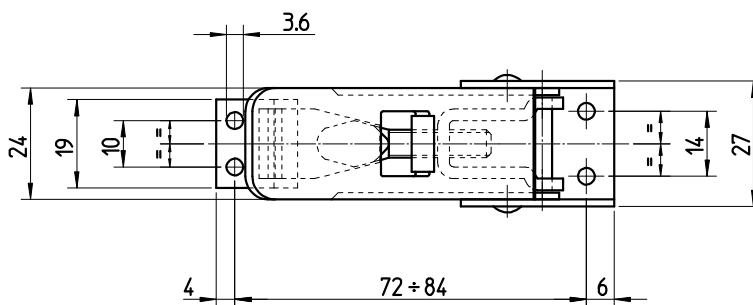
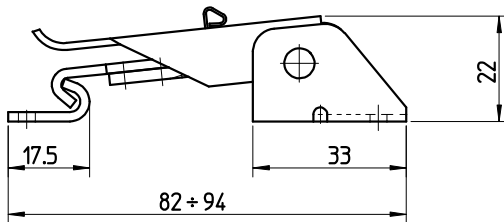
DC01 (Steel) white galvanized

NOTES

* 1 DaN (decanewton) = 1.02 Kgf (kilogram-force).

ACCESSORIES

The recommended standard striker plate is the one in the table below, but other available types are shown on the specific page.



Code	Product	Max working load (DaN) *	Max tension load (DaN) *	Package (pcs)
DC01 white galvanized				
CS315AK501001	Latch + Striker plate	100	200	50
CS31500000001	Latch	100	200	200
CS005AK000001	Striker plate	-	-	50

1
2
3
4
5
6
7
8
9
10
11
12
13
14
15
16
17
18
19
20

MATERIAL - SURFACE TREATMENT

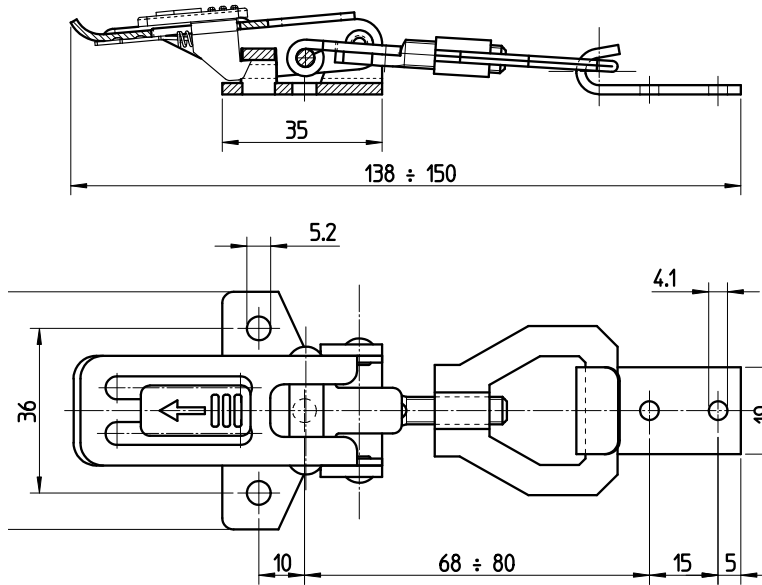
DC01 (Steel) white galvanized
 DC01 (Steel) nickel-plated
 AISI304 (Stainless steel)

NOTES

In the steel version, the holes on the recommended striker plate are countersunk.
 * 1 DaN (decanewton) = 1.02 Kg (kilogram-force).

ACCESSORIES

The recommended standard striker plate is the one in the table below, but other available types are shown on the specific page.



Code DC01 white galvanized	Code DC01 nickel-plated	Code AISI304	Product	Max working load (DaN) *	Max tension load (DaN) *	Package (pcs)
-	CS185AI508008	CS186AI600000	Latch + Striker plate	110	250	25
-	CS18500000008	CS18600000000	Latch	110	250	200
CS005AI000001	CS005AI000008	CS006AI000000	Striker plate	-	-	25



MATERIAL - SURFACE TREATMENT

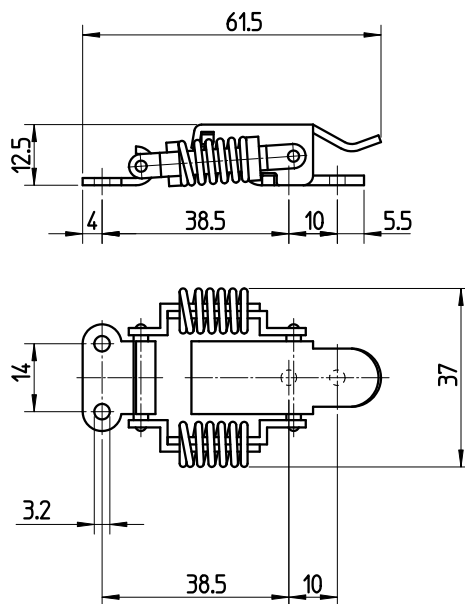
DC01 (Steel) white galvanized
 AISI304 (Stainless steel)

NOTES

* 1 DaN (decanewton) = 1.02 Kgf (kilogram-force).

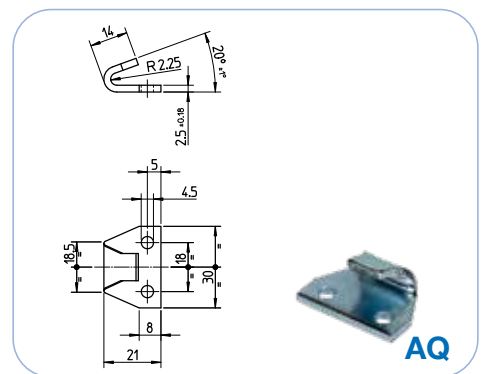
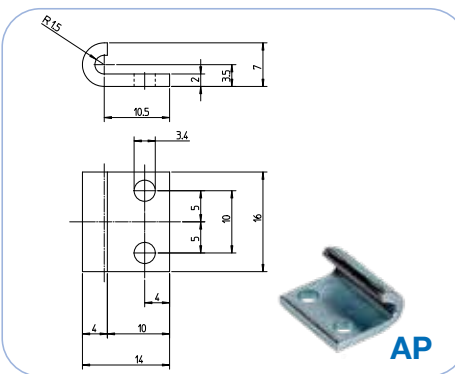
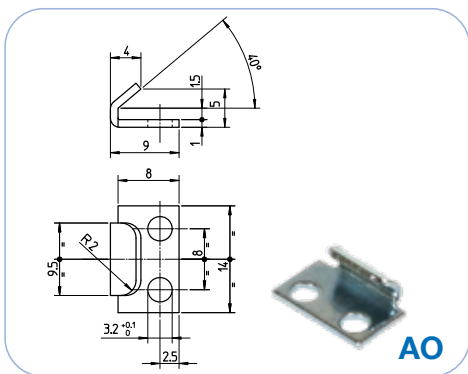
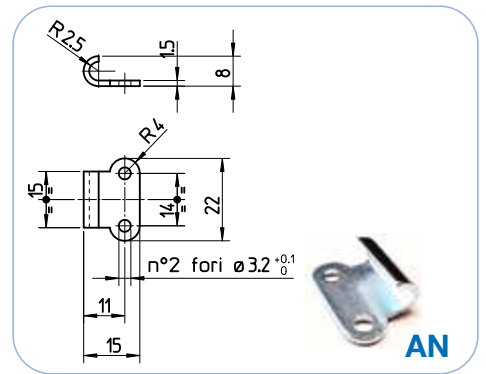
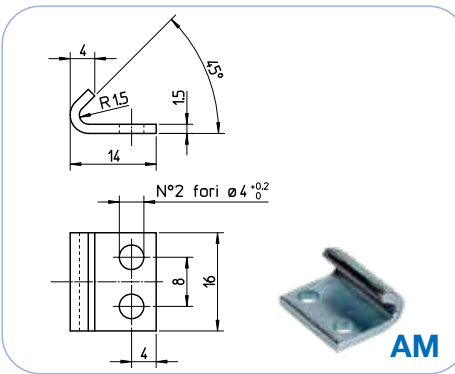
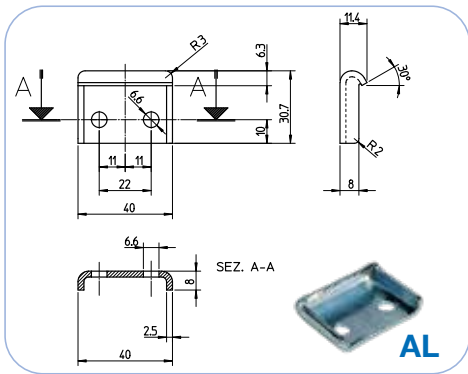
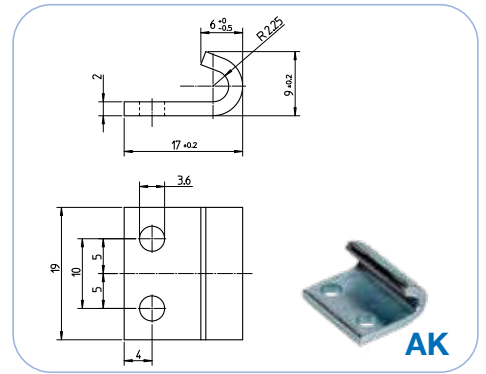
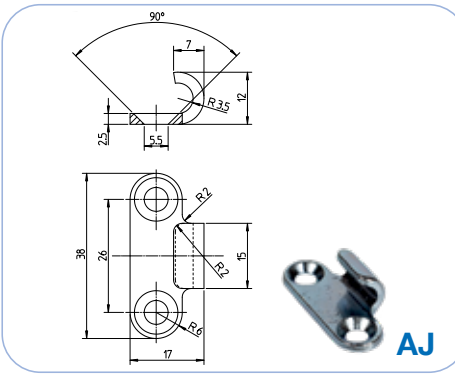
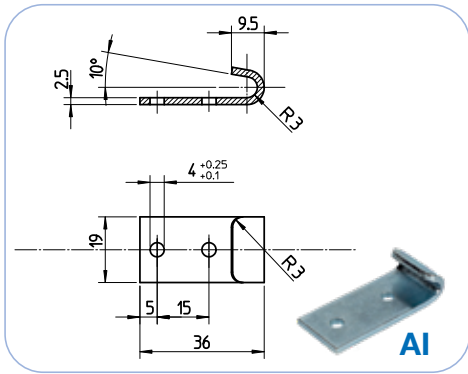
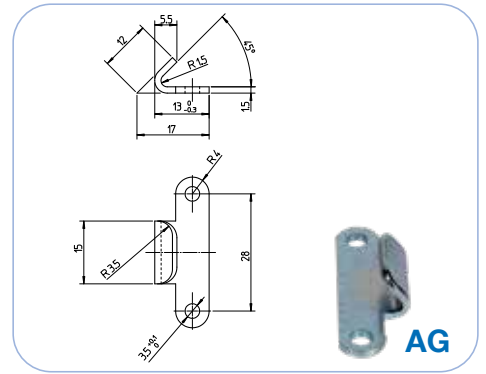
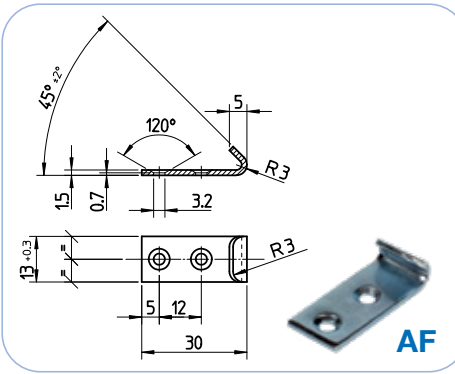
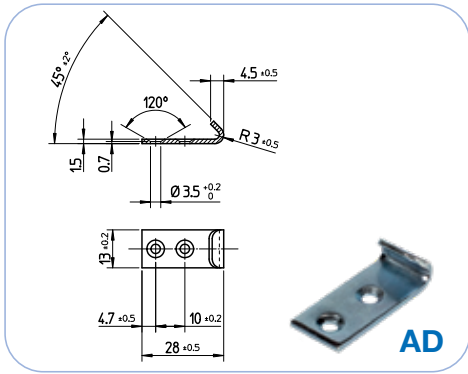
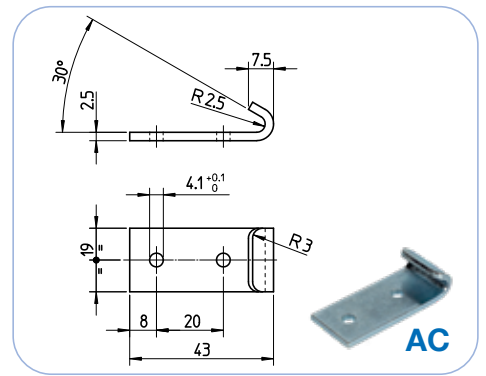
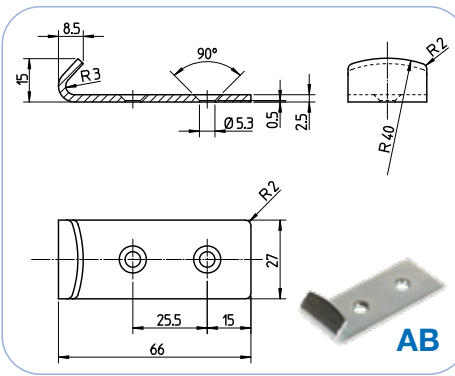
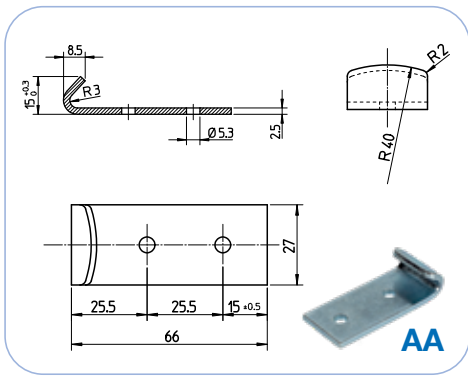
ACCESSORIES

The recommended standard striker plate is the one in the table below, but other available types are shown on the specific page.



Code DC01 white galvanized	Code AISI304	Product	Max working load (DaN) *	Max tension load (DaN) *	Package (pcs)
CS375AN501001	CS376AN600000	Latch + Striker plate	50	150	100
CS37500000001	CS37600000000	Latch	50	150	500
CS005AN000001	CS006AN000000	Striker plate	-	-	100

1
2
3
4
5
6
7
8
9
10
11
12
13
14
15
16
17
18
19
20



- 1
- 2
- 3
- 4
- 5
- 6
- 7
- 8
- 9
- 10
- 11
- 12
- 13
- 14
- 15
- 16
- 17
- 18
- 19
- 20



MATERIAL - SURFACE TREATMENT

DC01 (Steel)
 DC01 (Steel) white galvanized
 DC01 (Steel) nickel-plated
 AISI304 (Stainless steel)

	Code DC01	Code DC01 white galvanized	Code DC01 nickel-plated	Code AISI304	Product	Package (pcs)
1	-	-	-	CS006AA000000	AA	25
2	CS005AB000000	CS005AB000001	CS005AB000008	-	AB	25
	CS005AC000000	CS005AC000001	CS005AC000008	CS006AC000000	AC	50
	CS005AD000000	CS005AD000001	CS005AD000008	CS006AD000000	AD	200
3	CS005AF000000	-	-	-	AF	500
	-	CS005AF000001	CS005AF000008	CS006AF000000	AF	150
4	CS005AG000000	CS005AG000001	CS005AG000008	CS006AG000000	AG	200
	CS005AI000000	-	-	-	AI	200
	-	CS005AI000001	CS005AI000008	CS006AI000000	AI	25
5	-	CS005AJ000001	-	CS006AJ000000	AJ	25
	-	CS005AK000001	CS005AK000008	-	AK	50
6	-	CS005AL000001	-	-	AL	25
	-	CS005AM000001	-	CS006AM000000	AM	100
	-	CS005AN000001	-	CS006AN000000	AN	100
7	-	CS005AO000001	-	-	AO	200
	-	CS005AP000001	-	-	AP	100
8	-	CS005AQ000001	-	-	AQ	50

- 1
- 2
- 3
- 4
- 5
- 6
- 7
- 8
- 9
- 10
- 11
- 12
- 13
- 14
- 15
- 16
- 17
- 18
- 19
- 20